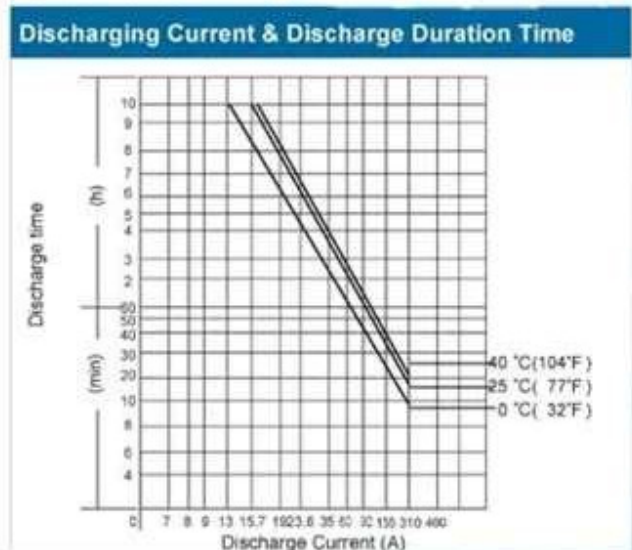
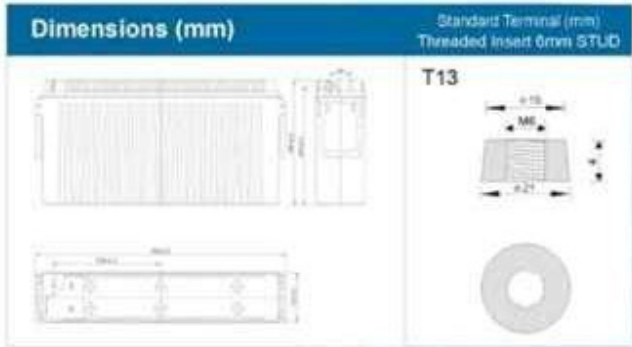
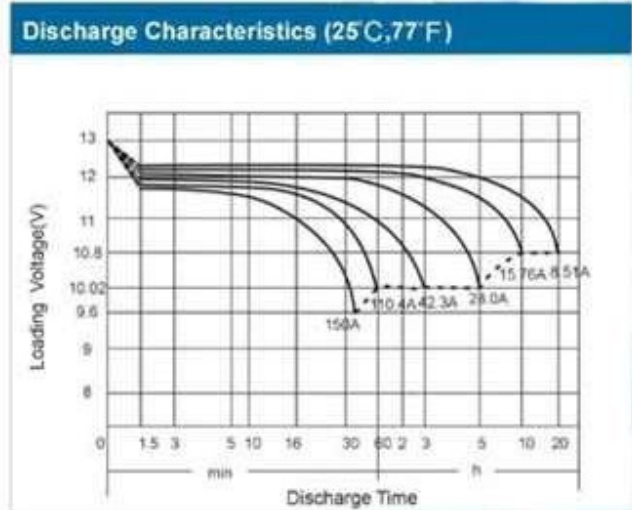


PG-12V150 FT-FR



PHYSICAL SPECIFICATION		
Nominal Voltage		12V
Nominal Capacity (8HR)		150AH
Dimension	Length	560 ± 2mm (22.05 inches)
	Width	110 ± 2mm (4.33 inches)
	Container Height	280 ± 2mm (11.02 inches)
	Total Height (with Cover)	280 ± 2mm (11.02 inches)
Weight		Approx 47kg (103.6lbs)
Standard Terminal		Threaded Insert 6mm STUD



ELECTRICAL SPECIFICATION					
Rated Capacity	20 hour rate (8.51A)	170.2AH	Constant Voltage Charge	Cycle	Initial Charging Current less than 45A Voltage 14.4V~15.0V at 25°C (77°F) Temp. Coefficient -30mV/C
	10 hour rate (15.76A)	157.6AH			
	8 hour rate (18.75A)	150.0AH			
	5 hour rate (28.0A)	140.0AH			
	3 hour rate (42.3A)	126.9AH			
1 hour rate (110.4A)	110.4AH	Standby	No limit on Initial Charging Current Voltage 13.5V~13.8V at 25°C(77°F) Temp. Coefficient -20mV/C		
Capacity affected by Temperature	40°C (104°F)			100%	
	25°C (77°F)			100%	
	0°C (32°F)	65%			

Constant Current (Amp) and Constant Power (Watt) Discharge Table (25°C, 77°F)

Amp/Watt/Cell	Time(minute)	10	15	20	30	45	60	120	180	240	300	360	480	600	1200
	Final voltage	1.67	1.67	1.67	1.67	1.67	1.67	1.67	1.67	1.67	1.67	1.67	1.80	1.80	1.80
A		381.2	301.4	248.1	185.0	138.7	110.4	59.5	42.3	34.0	28.0	24.4	18.75	15.76	8.51
W		661.7	535.2	448.5	339.7	257.2	218.7	118.5	84.2	67.8	55.8	48.9	37.50	31.52	17.17

Distributed by Power-sonic Australia Pty. Ltd.

Tel: (07) 5473-0017 Fax: (07) 5473-0091 E-Mail : wsheehan@power-sonic.com.au