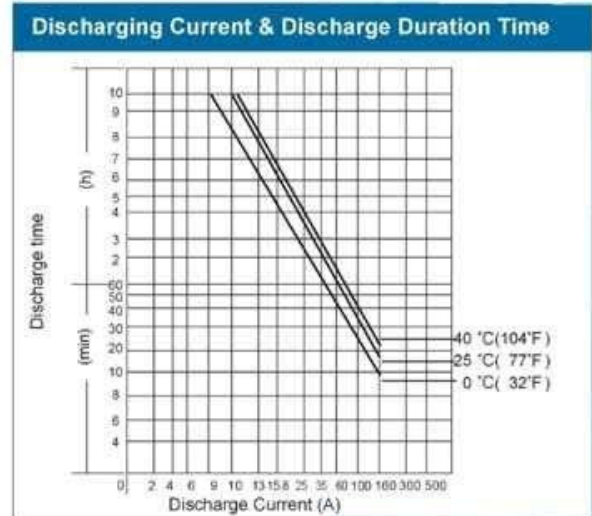
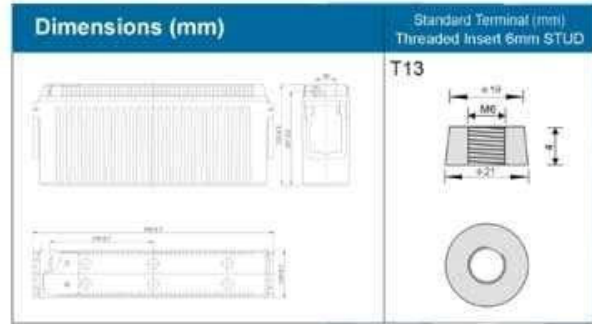
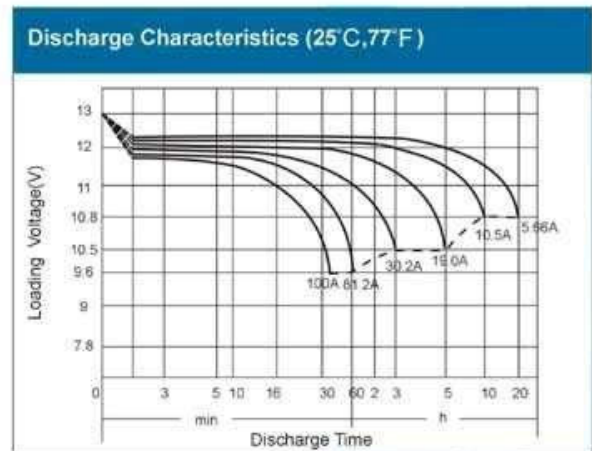


PG-12V105 FT-FR



PHYSICAL SPECIFICATION		
Nominal Voltage		12V
Nominal Capacity (8HR)		100AH
Dimension	Length	560±3mm (22.04 inches)
	Width	110±2mm (4.33 inches)
	Container Height	233±2mm (9.17 inches)
	Total Height (with Terminal)	233±2mm (9.17 inches)
Weight		Approx 35.6kg (78.5lbs)
Standard Terminal		T13

ELECTRICAL SPECIFICATION					
Rated Capacity	20 hour rate (5.66 A)	113.2 AH	Constant Voltage Charge	Cycle	Initial Charging Current less than 30A, Voltage 14.4V~ 15.0V at 25°C (77°F) Temp. Coefficient -30mV/°C
	10 hour rate (10.5 A)	105.0 AH			
	8 hour rate (12.5A)	100.0 AH			
	5 hour rate (19.0A)	94.0 AH			
	3 hour rate (30.2A)	90.6 AH			
Capacity affected by Temperature	40°C (104°F)	103%	Standby	No limit on Initial Charging Current Voltage 13.5V~13.8V at 25°C(77°F) Temp. Coefficient - 20mV/°C	
	25°C (77°F)	100%			
	0°C (32°F)	86%			



Constant Current (Amp) and Constant Power (Watt) Discharge Table (25°C, 77°F)															
Amp/Watt/Cell	Time(minute)	10	15	20	30	45	60	120	180	240	300	360	480	600	1200
	Final voltage	1.67	1.67	1.67	1.67	1.67	1.67	1.67	1.67	1.67	1.67	1.67	1.80	1.80	1.80
A		280.4	223.5	185.7	144.0	104.8	81.2	43.1	30.2	23.4	19.0	16.3	12.5	10.5	5.66
W		486.7	396.8	335.7	264.5	194.2	160.8	85.7	60.2	46.7	37.8	32.5	25.0	21.0	11.4