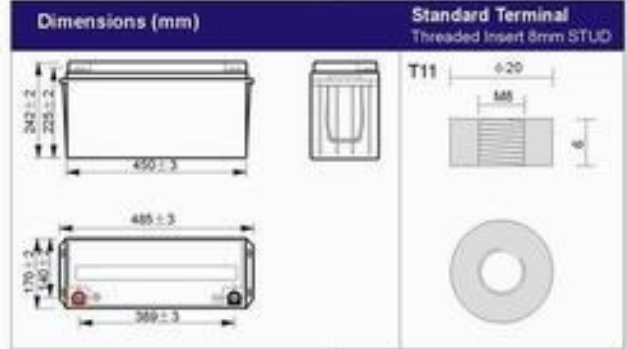
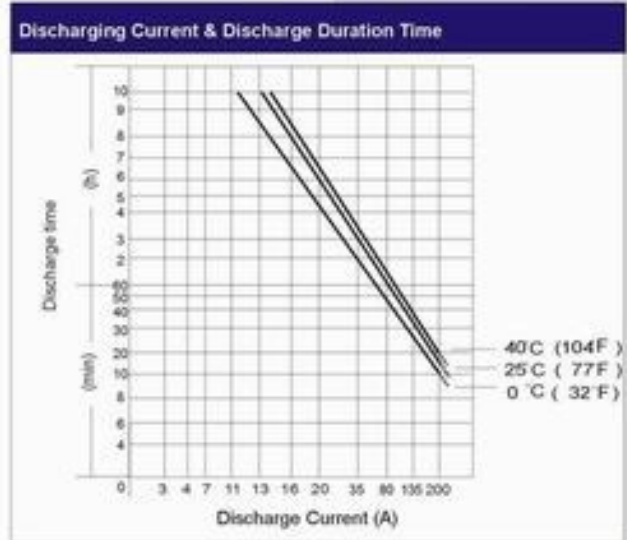


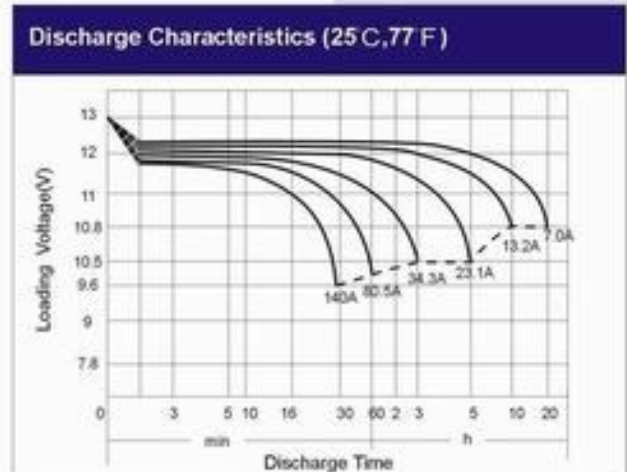
[12V140AH]



PHYSICAL SPECIFICATION		
Nominal Voltage		12V
Nominal Capacity (20HR)		140AH
Dimension	Length	485 ± 3mm (19.09 inches)
	Width	170 ± 2mm (6.69 inches)
	Container Height	242 ± 2mm (9.53 inches)
	Total Height (with Cover)	242 ± 2mm (9.53 inches)
Weight	Approx. 43.5kg (95.92lbs)	
Standard Terminal	Threaded Insert 8mm STUD	
Case Material	Synthetic resin (ABS) *Optional:UL94V-0 flame retardant resin	



ELECTRICAL SPECIFICATION					
Rated Capacity	20 hour rate (7.00 A)	140AH	Constant Voltage	Cycle	Initial Charging Current less than 35A. Voltage 14.4V-15.0V at 25°C (77°F). Temp. Coefficient -30mV/°C
	10 hour rate (13.2 A)	132AH			
	5 hour rate (23.1A)	115.5AH			
	3 hour rate (34.3A)	102.9AH			
	1 hour rate (80.5A)	80.5AH			
Capacity affected by Temperature	40°C (104°F)	103%	Charge	Standby	No limit on Initial Charging Current Voltage 13.5V-13.8V at 25°C(77°F). Temp. Coefficient -20mV/°C
	25°C (77°F)	100%			
	0°C (32°F)	86%			



Constant Current (Amp) and Constant Power (Watt) Discharge Table (25°C, 77°F)													
Amp/Watt/Cell	Time(minute)	20	30	45	60	120	180	240	300	360	480	600	1200
	Final voltage	1.30	1.60	1.60	1.67	1.70	1.75	1.75	1.75	1.75	1.80	1.80	1.80
A		178.5	138.6	102.9	80.5	47.8	34.3	27.3	23.1	20.3	15.9	13.16	7.00
W		312.4	255.0	191.9	152.1	91.0	66.1	53.0	45.2	40.0	31.5	26.25	14.04