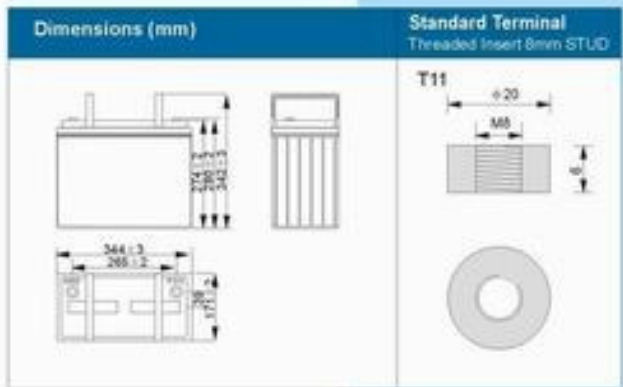
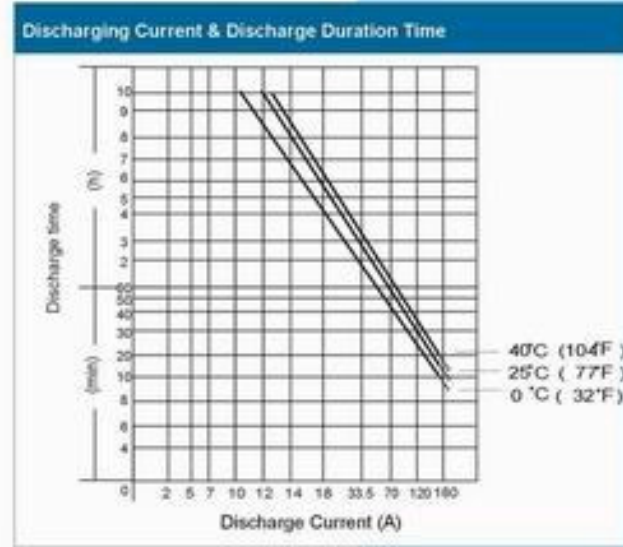


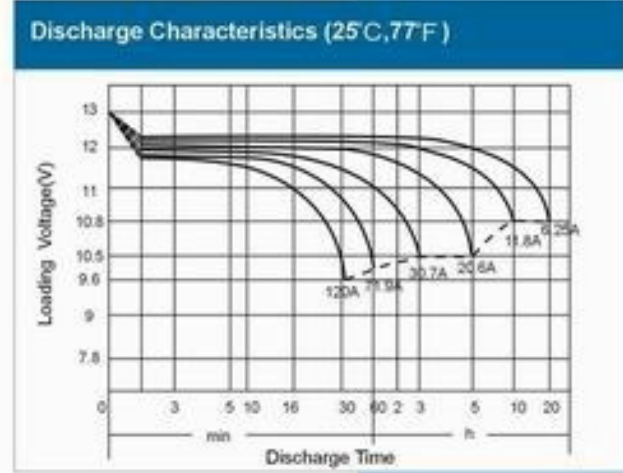
(12V125AH)



PHYSICAL SPECIFICATION		
Nominal Voltage	12V	
Nominal Capacity (20HR)	125AH	
Dimension	Length	344 ± 3mm (13.5 inches)
	Width	171 ± 2mm (6.73 inches)
	Container Height	274 ± 2mm (10.79 inches)
	Total Height (with Cover)	280 ± 2mm (11.02 inches)
Weight	Approx. 46.8kg (103.2lbs)	
Standard Terminal	Threaded Insert 8mm STUD	
Case Material	Synthetic resin (ABS) *Optional:UL94V-0 flame retardant resin	



ELECTRICAL SPECIFICATION					
Rated Capacity	20 hour rate (6.25A)	125.0AH	Constant Voltage	Cycle	Initial Charging - Current less than 31.25A. Voltage 14.6V- 15.0V at 25°C (77°F). Temp. Coefficient -30mV/°C
	10 hour rate (11.8A)	117.5AH			
	5 hour rate (20.6A)	103.0AH			
	3 hour rate (30.7A)	92.1AH			
	1 hour rate (71.9A)	71.9AH			
Capacity affected by Temperature	40°C (104°F)	103%	Charge	Standby	No limit on Initial Charging Current Voltage 13.5V-13.8V at 25°C(77°F). Temp. Coefficient - 20mV/°C
	25°C (77°F)	100%			
	0°C (32°F)	86%			



Constant Current (Amp) and Constant Power (Watt) Discharge Table (25°C, 77°F)													
Amp/Watt/Cell	Time(minute)	20	30	45	60	120	180	240	300	360	480	600	1200
	Final voltage	1.30	1.60	1.60	1.67	1.70	1.75	1.75	1.75	1.75	1.80	1.80	1.80
A		159.4	123.8	91.9	71.9	42.7	30.7	24.4	20.6	18.1	14.2	11.8	6.25
W		278.9	227.7	171.3	135.8	81.2	59.0	47.3	40.3	35.6	28.2	23.4	12.53