

(12V110AH)

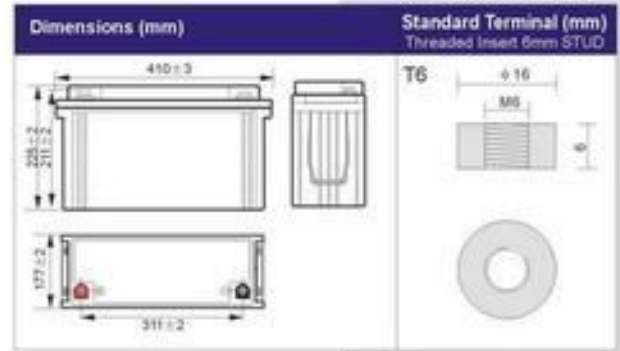


PHYSICAL SPECIFICATION		
Nominal Voltage		12V
Nominal Capacity (20HR)		110AH
Dimension	Length	410 ± 3mm (16.14 inches)
	Width	177 ± 2mm (6.97 inches)
	Container Height	225 ± 2mm (8.86 inches)
	Total Height (with Cover)	225 ± 2mm (8.86 inches)
Weight	Approx 35.5 kg (78.3 lbs)	
Standard Terminal	Threaded Insert 6mm STUD	
Case Material	Synthetic resin (ABS) *Optional:UL94V-0 flame retardant resin	

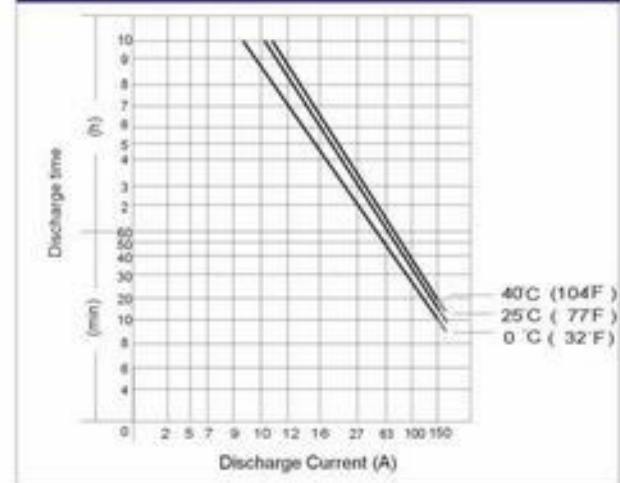
ELECTRICAL SPECIFICATION					
Rated Capacity	20 hour rate (5.5A)	110 AH	Constant Voltage	Cycle	Initial Charging Current less than 27.5A Voltage 14.6V-15.0V at 25°C (77°F) Temp. Coefficient -30mV/°C
	10 hour rate (10.34A)	103.4 AH			
	5 hour rate (18.2A)	91.0 AH			
	3 hour rate (27.0A)	81.0AH			
	1 hour rate (63.3 A)	63.3AH			
Capacity affected by Temperature	40°C (104°F)	103%	Charge Standby		No limit on Initial Charging Current Voltage 13.5V-13.8V at 25°C(77°F) Temp. Coefficient -20mV/°C
	25°C (77°F)	100%			
	0°C (32°F)	88%			

Constant Current (Amp) and Constant Power (Watt) Discharge Table (25°C,77 F)

Time(minute) Final voltage	20	30	45	60	120	180	240	300	360	480	600	1200
Amp/Watt/Cell	1.30	1.60	1.60	1.67	1.70	1.75	1.75	1.75	1.75	1.80	1.80	1.80
A	140.3	108.9	80.9	63.3	37.5	27.0	21.5	18.2	16.0	12.5	10.34	5.50
W	245.4	200.4	150.8	119.5	71.5	51.9	41.6	35.5	31.4	24.8	20.63	11.03



Discharging Current & Discharge Duration Time



Discharge Characteristics (25 C,77 F)

